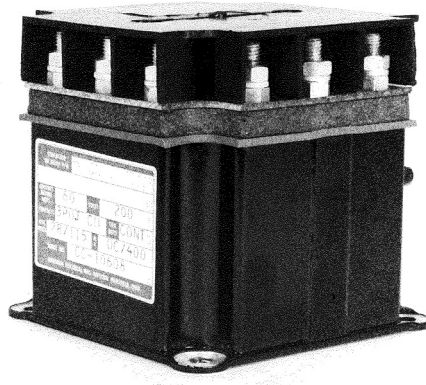


**B-140 Series, Rated up to 60 Amps, 115/200 VAC, 400 Hz**

**See Part Number Listing on Last Page**

**Product Facts**

- 3PDT NO, Center off
- Gasket sealed or Hermetically sealed
- 115/200 VAC, 400 Hz, 3 phase
- Auxiliary contacts available
- Meets the requirements of MIL-PRF-6106



**Performance Data**

**Electrical Characteristics**

- Contact Arrangement** — 3PDT NO, Center Off
- Rated Operating Voltage** — 115/200 VAC, 400 Hz, 3 phase
- Current, Resistive** — 60 Amps
- Current, Inductive** — 60 Amps
- Current, Motor** — 60 Amps
- Current, Rupture** — 600 Amps

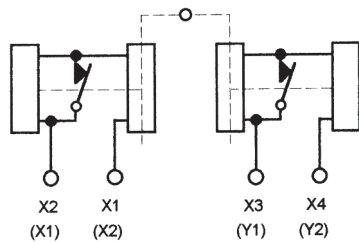
**General Characteristics**

- Temperature Range** — -55°C to +120°C
- Operating Cycles (Life) at Rated Resistive Load, Min.** — 50,000 cycles
- Operating Cycles (Life) Mechanical, Min.** — 100,000 cycles
- Dielectric Strength** — All Circuits to Ground — 1,500 Vrms  
Circuit to Circuit — 1,500 Vrms  
Coil to Ground and Aux. Contacts — 1,000 Vrms
- Insulation Resistance, Initial** — 100 megohm min.
- Altitude Max.** — 50,000 ft.
- Weight, Nominal** — 1.50 to 2.31 lbs
- Sinusoidal Vibration** — 10 G @ 70 to 2,000 Hz
- Shock, Max.** — 15 G

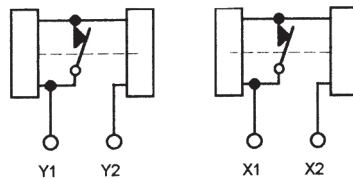
**Coil Characteristics**

- Duty Cycle** — Continuous (Type A or B, See diagram below)
- Operating Voltage, Nom.** — 28 Vdc
- Pickup Voltage, Max. @ 85°C** — 18 Vdc
- Dropout Voltage, Max.** — 1.5 to 7 Vdc
- Coil Current @ 29 Vdc Max. @ 25°C** — 0.35 Amps
- Inrush** — 5 Amps

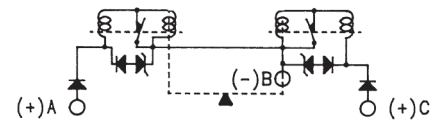
**Coil Type**



**A — Continuous**



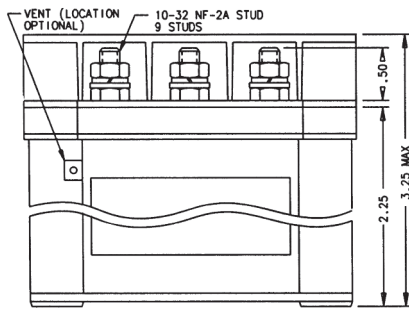
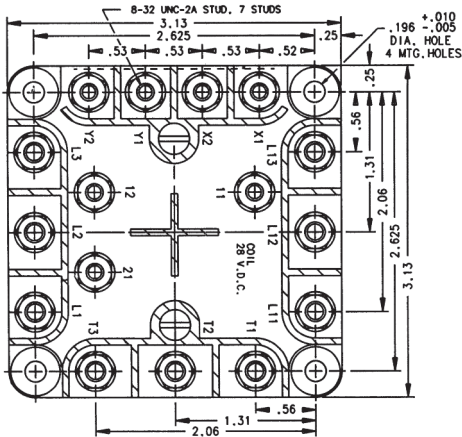
**B — Continuous**



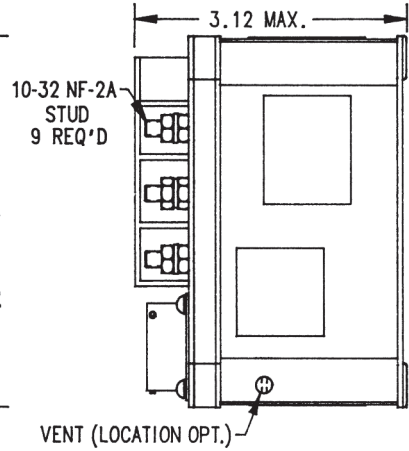
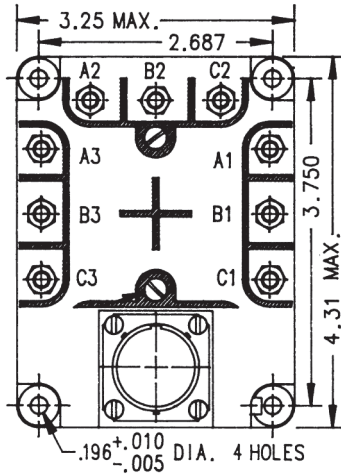
**C — Continuous w/Suppression**

For factory-direct application assistance, phone 419-521-9500 or fax 419-526-2749.

**B-140 Series, Rated up to 60 Amps, 115/200 VAC, 400 Hz (Continued)**

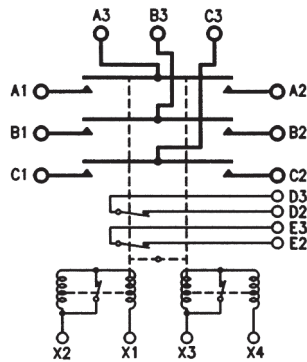


Mounting Style A

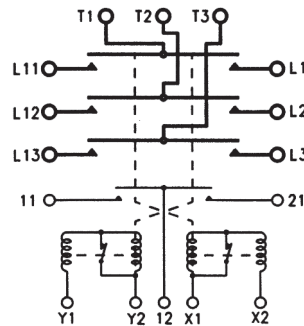


Mounting Style B

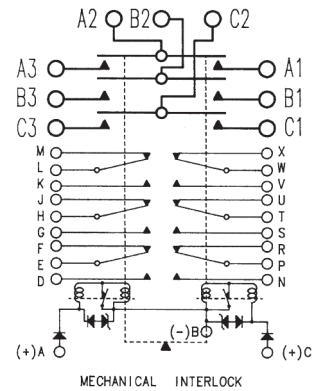
**Circuit Configurations (Consult factory for other available circuit configurations)**



Circuit Configuration 1



Circuit Configuration 2



Circuit Configuration 3

HARTMAN Part Number	Construction Type	Mounting Style	Coil Type	Circuit Config.	TE Part Number
B-140AP-1	Gasket/Vented	B	Continuous	3	1616043-7
B-140BH	Gasket/Vented	A	Continuous	1	1616043-9
B-140V	Gasket/Vented	A	Continuous	2	1-1616043-0

For factory-direct application assistance, phone 419-521-9500 or fax 419-526-2749.